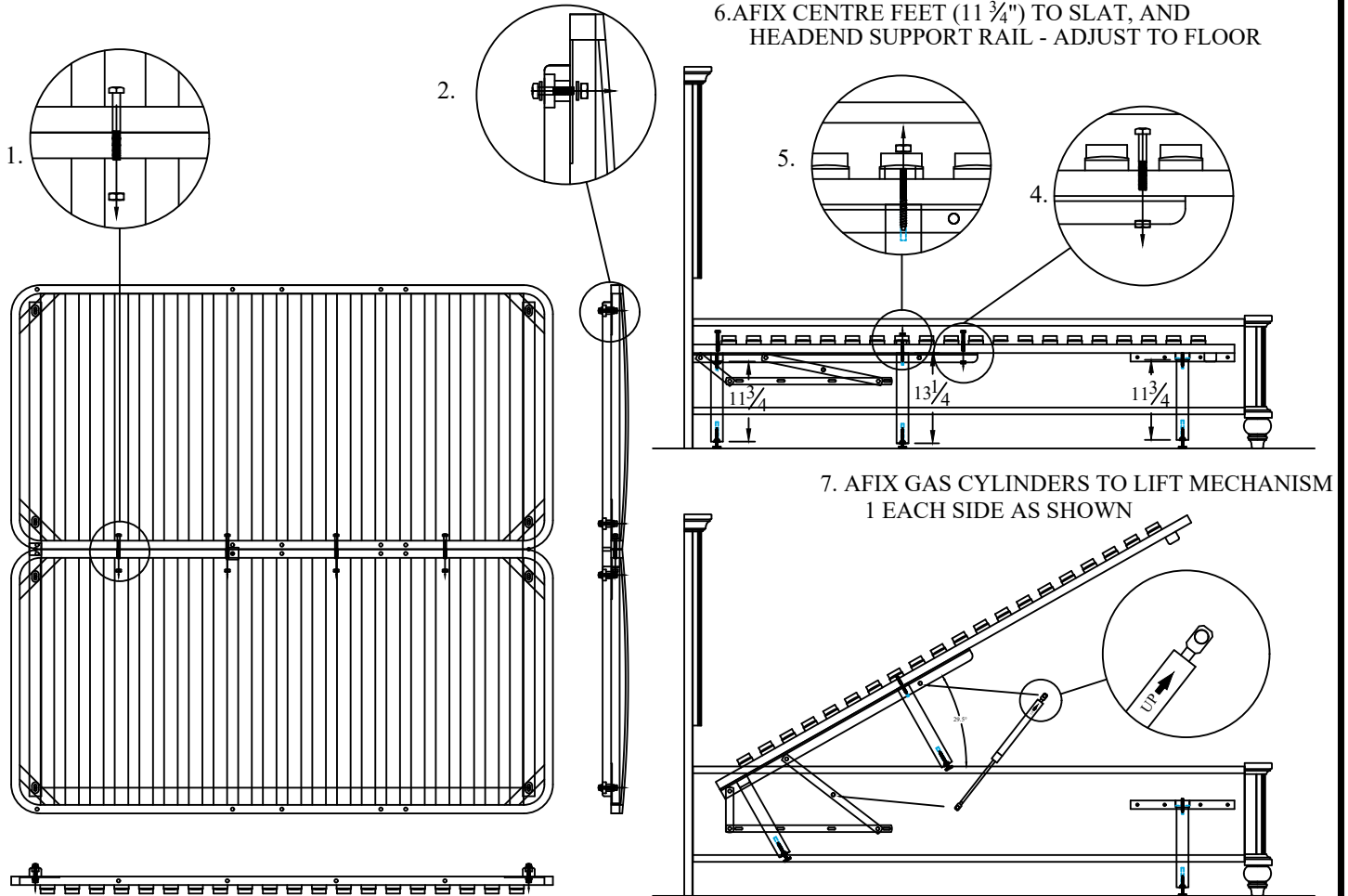


3000-144P

****NOTE** THE MATTRESS MUST BE PLACED ONTO THE MECHANISM FOR IT TO GO DOWN**

1. BOLT SLAT FRAME SECTIONS TOGETHER
4 BOLTS (3 1/8"), 4 NUTS SUPPLIED WITH FRAME
2. BOLT SLAT FRAME SUPPORT RAILS TO THE ASSEMBLED FRAME SECTIONS. THE HEADBOARD SUPPORT RAIL HAS A HOLE FOR A CENTER FOOT
4 BOLTS (1 3/4"), 4 NUTS, 8 WASHERS EACH SUPPORT (8 BOLTS, 8 NUTS, 16 WASHERS PACKED)
3. ASSEMBLE SIDE RAILS TO BED
4. BOLT SLAT FRAME TO THE LIFT MECHANISM
2 BOLTS (1 3/4"), 2 NUTS EACH SIDE SUPPLIED WITH MECHANISM
5. AFIX CENTRE FOOT (13 1/4"), NUT AND WASHER TO FRAME
6. AFIX CENTRE FEET (11 3/4") TO SLAT, AND HEADEND SUPPORT RAIL - ADJUST TO FLOOR
7. AFIX GAS CYLINDERS TO LIFT MECHANISM
1 EACH SIDE AS SHOWN



WARNING!
RISK OF SERIOUS INJURY

AVERTISSEMENT!
RISQUE DE SÉRIEUX ÉCRASANTES



Keep children and all parts of your body well clear of the bed/box during raising or lowering.

Do not allow children to lift or close the bed or play in the box or with the bed at any time.

Never allow any person to be in the box, and especially when the bed is down or being closed.

Gardez les enfants et toutes les parties de votre corps bien libre de la boîte pendant la levée ou la fermeture du lit.

Ne permettez pas aux enfants de soulever ou fermer le lit ou de jouer dans la boîte ou avec le lit.

Ne permettez jamais à aucune personne d'être dans la boîte particulièrement quand le lit est baissé ou fermé.